

REVISIONS				
NO.	DESCRIPTION	DATE	BY	CHECKED BY
1				
2				
3				
4				
5				
6				

**PERFORMANCE ENGINEERING**

7100 COMMERCIAL AVE, SUITE 4  
BILLINGS, MT 59101  
OFFICE - 406-384-0080 www.performance-ec.com

DESIGNED BY ANA  
DRAWN BY ANA  
DATE MAR 2018

QUALITY ASSURANCE  
CHK BY  
CHECKED BY  
DATE

**WINDMILL FARMS SUBDIVISION**

E. PRYOR RD  
EDGAR, MT 59026

**DRY HYDRANT  
PLAN & PROFILE**

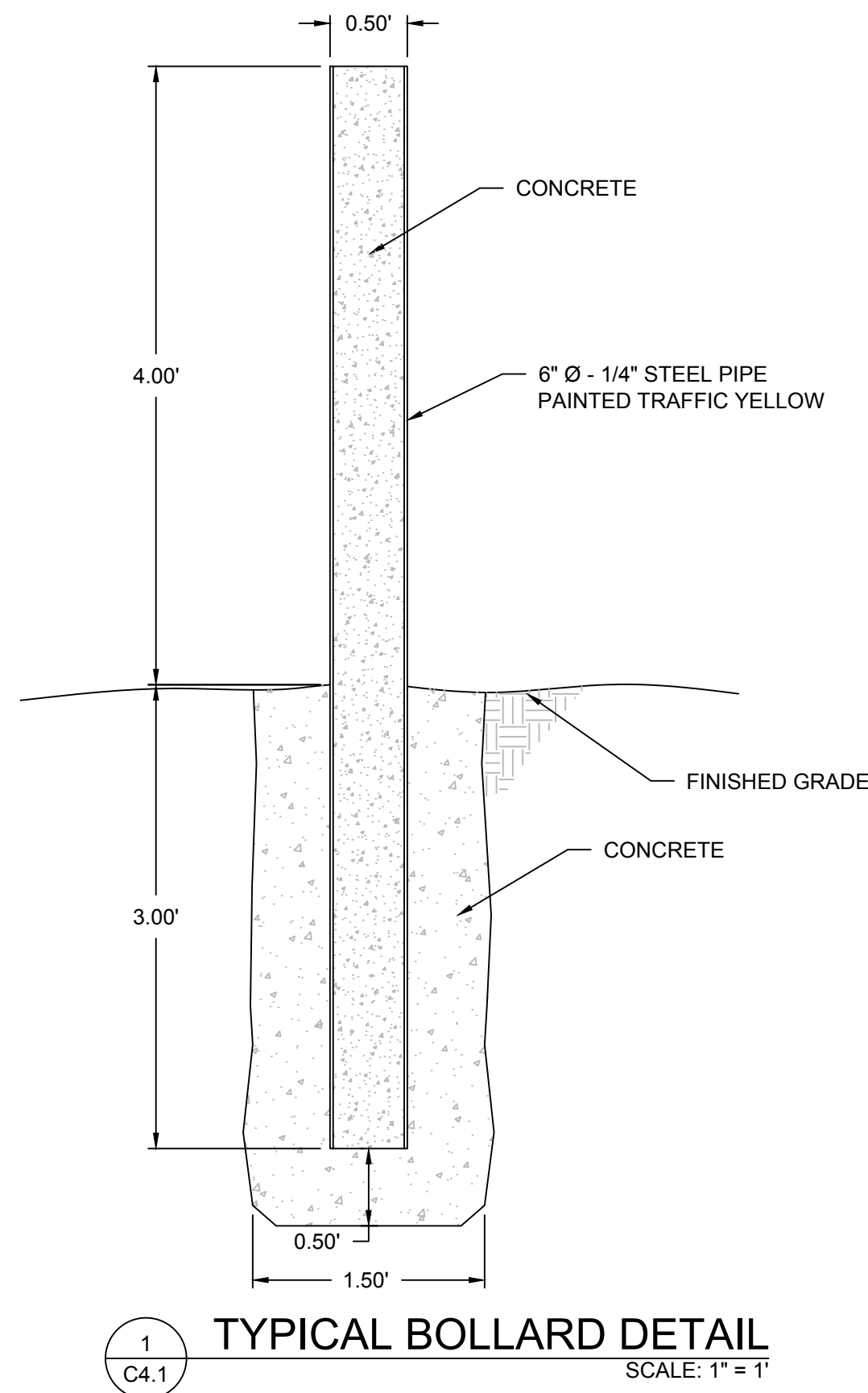
PROJECT NUMBER  
18-008

SHEET NUMBER  
1 OF 2

DRAWING NUMBER  
**F1.0**

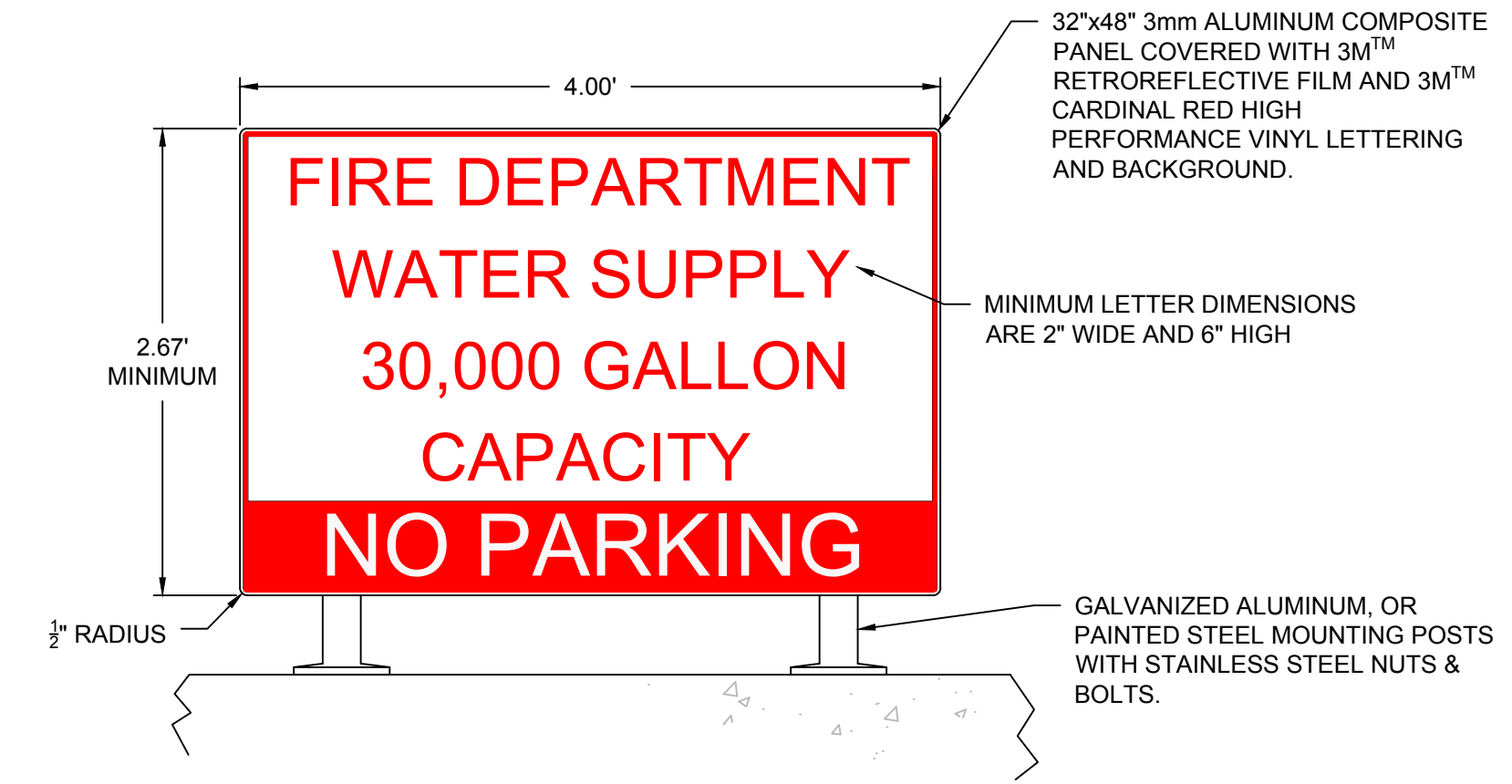
COPYRIGHT 2018 ©

NOTE: ALL EXPOSED METAL CLAMPS, NUTS, BOLTS OR OTHER HARDWARE TO BE A36 STAINLESS STEEL UNLESS OTHERWISE SPECIFIED.  
ALL EXPOSED PVC IS TO BE UV RESISTANT OR PAINTED WITH LATEX PAINT. ALL PVC PIPE TO BE SCHEDULE 40 UNLESS OTHERWISE NOTED.



1  
C4.1  
**TYPICAL BOLLARD DETAIL**  
SCALE: 1" = 1'

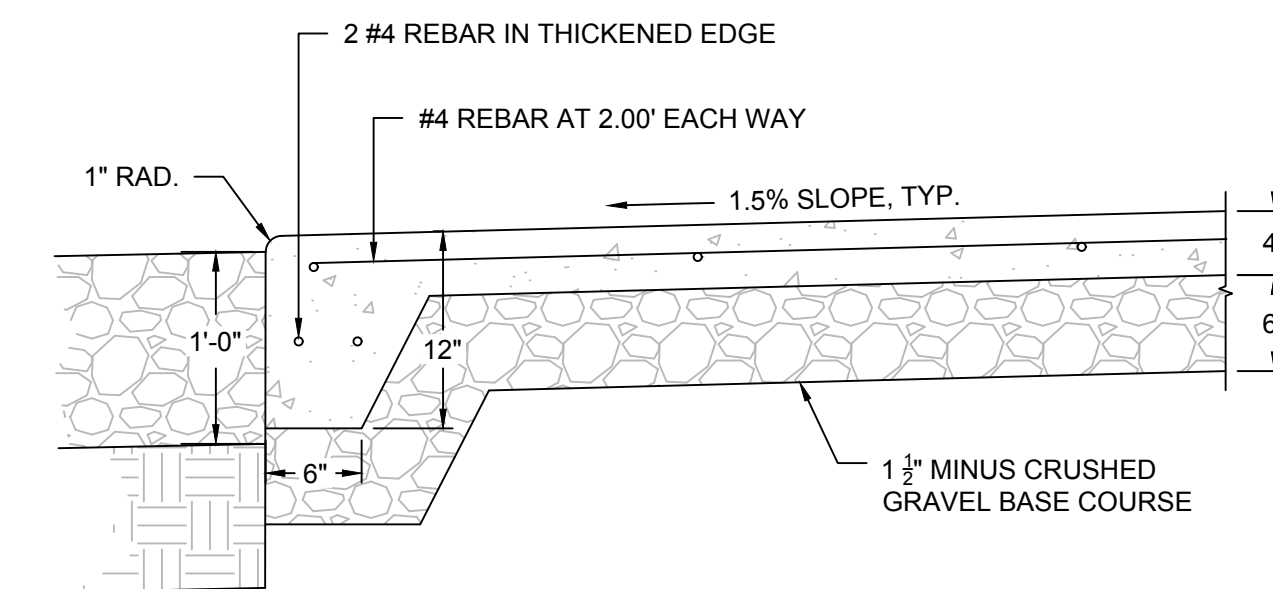
NOTE: SIGN SHALL BE LOCATED NO LESS THAN 3' AND NO MORE THAN 10' FROM THE FIRE DEPARTMENT CONNECTION IN A CONSPICUOUS MANNER THAT IS VISIBLE FROM THE ROADWAY.



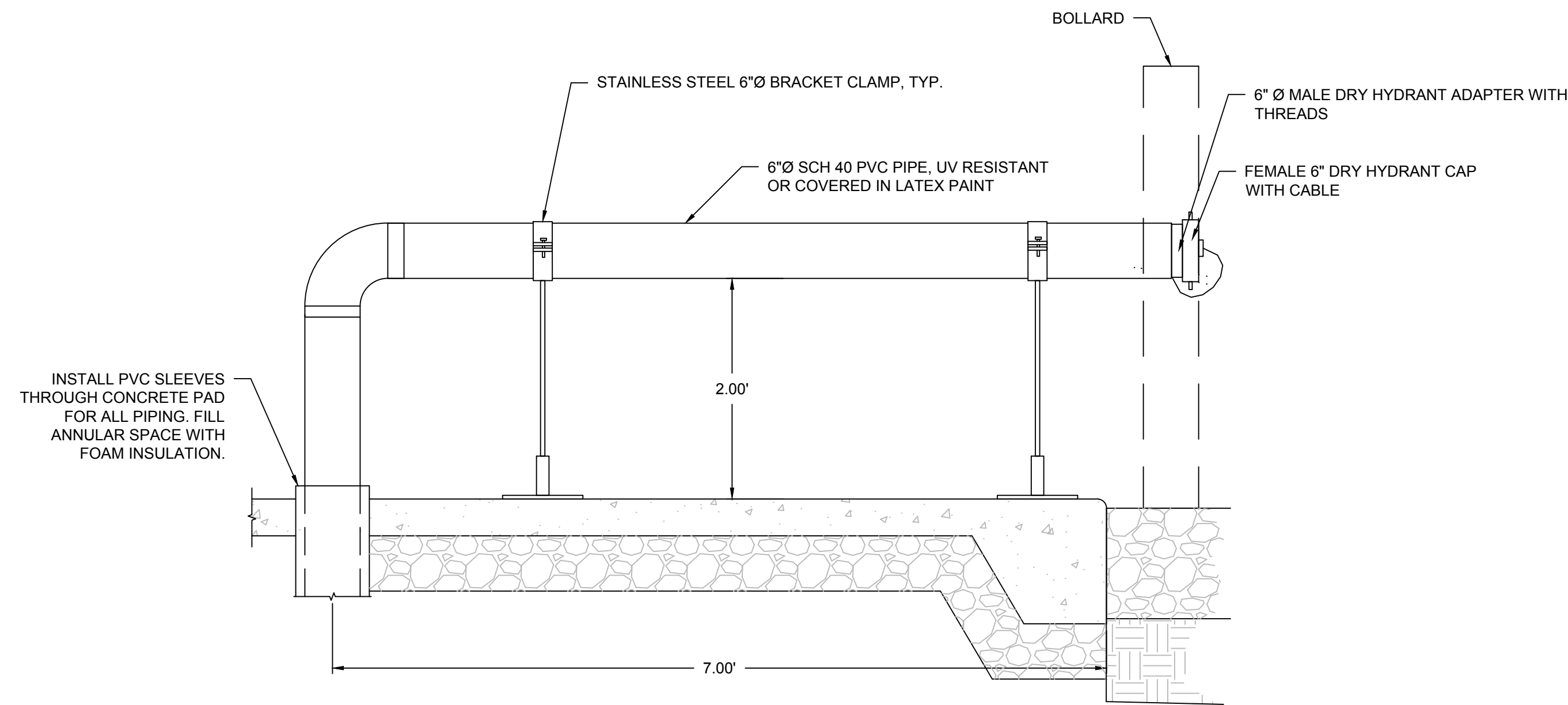
2  
C4.1  
**NO PARKING SIGN DETAIL**  
SCALE: 1" = 1'

NOTES:

1. GRAVEL FOR PULLOUT SHALL BE COMPACTED TO 97% STANDARD PROCTOR IN ACCORDANCE WITH ASTM D698.
2. SUBGRADE IN FILL SECTIONS SHALL BE COMPACTED TO 95% STANDARD PROCTOR IN LIFTS NO GREATER THAN 8".
3. SUBGRADE IN CUT SECTIONS SHALL BE COMPACTED TO 95% STANDARD PROCTOR TO A MINIMUM DEPTH OF 12".



4  
C4.1  
**THICKENED EDGE SLAB DETAIL**  
SCALE: 1" = 1'



3  
C4.1  
**DRY HYDRANT SUCTION PIPE DETAIL**  
SCALE: 1" = 1'

INSTALL PVC SLEEVES THROUGH CONCRETE PAD FOR ALL PIPING. FILL ANNULAR SPACE WITH FOAM INSULATION.

REVISIONS

NO.	DESCRIPTION	DATE	BY	CHECKED BY
1				
2				
3				
4				
5				
6				



7100 COMMERCIAL AVE, SUITE 4  
BILLINGS, MT 59101  
OFFICE - 406-384-0080 www.performance-ec.com

ANA  
DESIGNED BY  
ANA  
DRAWN BY  
MAR 2018  
DATE

QUALITY ASSURANCE  
CHK BY  
CHECKED BY  
DATE  
DATE

WINDMILL FARMS SUBDIVISION

E. PRYOR RD

EDGAR, MT 59026

DRY HDYRANT  
DETAILS

PROJECT NUMBER  
18-008

SHEET NUMBER  
2 OF 2

DRAWING NUMBER  
**F1.1**